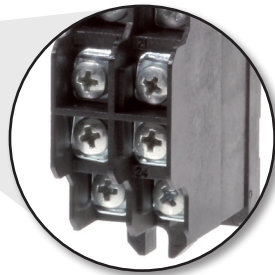


## OVERVIEW

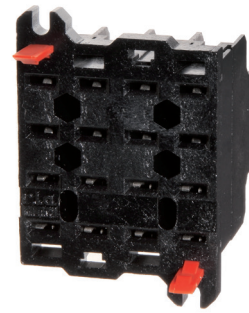
- Cable secured with screws
- Panel mounting
- Sturdy construction
- No internal soldering
- Snap-in relay
- Provision for fitment of keying pins
- Protection IP10



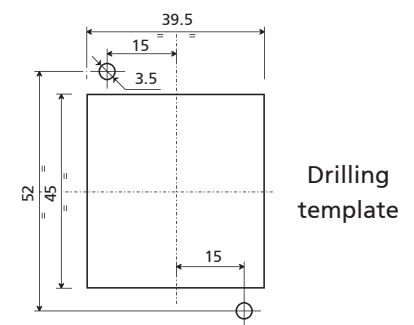
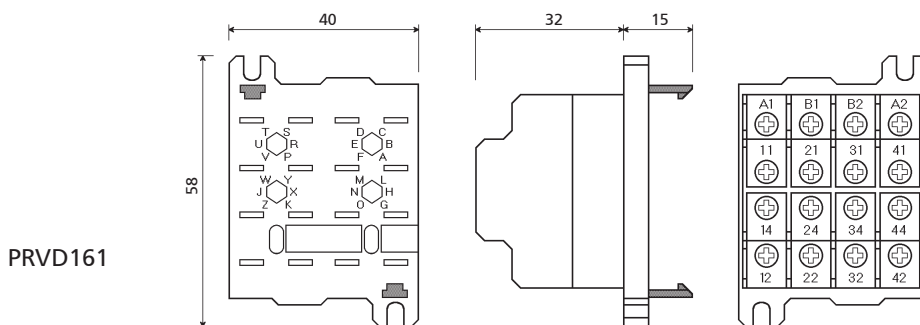
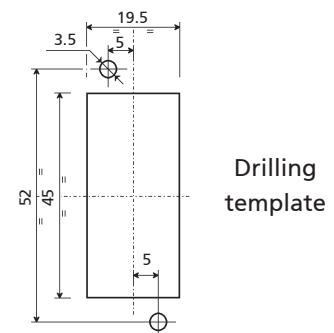
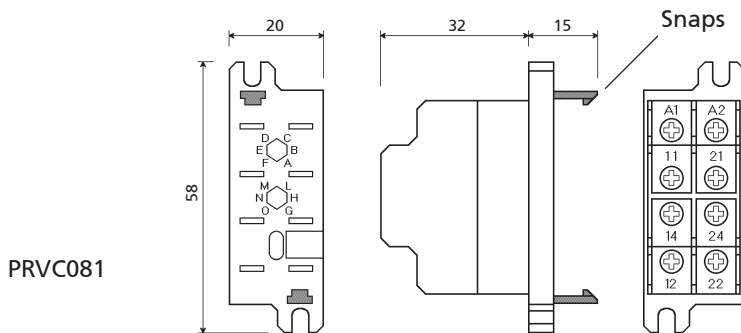
PRVC081



Detail of connections



PRVD161



## Specifications

**Weight:** 39 / 78 g

**Operating temperature:** -25°C...+55°C

**Storage temperature:** -40°C...+70°C

**Panel mounting:**

- $\varnothing$  holes: 3.5mm

**Degree of protection:** IP10

**Dielectric strength:** 2.5kV 50Hz 1min

**Type and size of screw:** M3 thread, cross head

**Tightening torque:** 0.5...0.8 Nm

**Width of slot:** 7mm

**Maximum section of cable:** 2 x 2.5 mm<sup>2</sup>

**Fire resistance:** EN60695-2-1, UL94 - V0

**Standards:** EN60255, EN 61810

For relays of series: **G**  
 Connection: **REAR**  
 Terminal type: **SCREW**  
 Mounting: **PANEL**

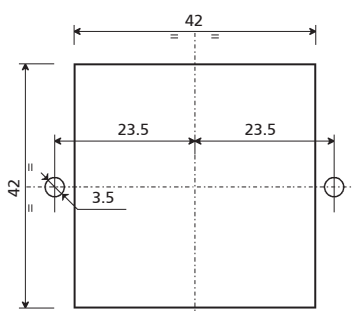
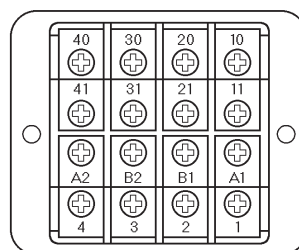
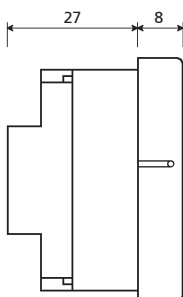
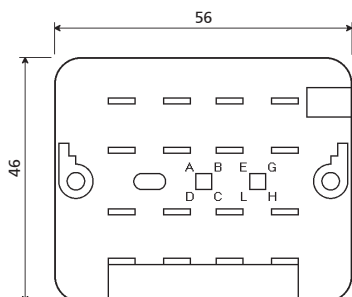
**PRVG161**

## OVERVIEW

- Cable secured with screws
- Panel mounting
- Sturdy construction
- No internal soldering
- Provision for fitment of keying pins
- Provision for fitment of retaining clip
- Protection IP10



PRVG161



Drilling template

## Specifications

**Weight:** 85 g

**Operating temperature:** -25°C...+55°C

**Storage temperature:** -40°C...+70°C

**Panel mounting:**

- $\varnothing$  holes: 3.5mm

**Degree of protection:** IP10

**Fire resistance:** EN60695-2-1, UL94 - V0

**Standards:** EN60255, EN 61810

**Dielectric strength:** 2.5kV 50Hz 1min.

**Type and size of screw:** M3 thread, cross head

**Tightening torque:** 0.5...0.8 Nm

**Width of slot:** 7mm

**Maximum section of cable:** 2 x 2.5 mm<sup>2</sup>